



Agilent M9036A PXIe Embedded PC Controller

DISCOVER the Alternatives...

Industries and Applications

- Aerospace/defense
- Communications
- General purpose applications
- Electronic functional test

Product Description

The Agilent M9036A is an embedded PXIe PC controller which enables a compact platform solution. With the 2-link, 2x8 Gen 2 backplane configuration, it is an ideal match for the Agilent M9018A PXIe chassis. This three-slot module easily integrates into hybrid test systems using GPIB, USB, and LAN with the built-in front panel interfaces. Built upon a mid-performance Intel Core i5 dual-core processor with Hyper-Threading Technology, the M9036A is designed for applications in multi-tasking environments.



... Agilent **Modular** Products

Models

M9036A PXIe embedded controller

Main Features and Benefits

| Product features | Your benefits |
|---|--|
| Gen 2 PCIe® backplane switches | Enables high-speed peer-to-peer data transfers between M9018A peripheral slots |
| Intel Core i5 dual-core processor | Ideal for applications in multi-tasking environments |
| Preloaded with Agilent I/O libraries and operating system | Reduces test system development time |
| Designed for PXIe systems | Provides choice between embedded and external controllers |
| Solid-state drive (SSD) | Improves mechanical reliability |

Chassis slot compatibility: PXIe system module slot (with two or more controller expansion slots)

Specifications and Characteristics

Hardware

| | |
|--------------------------------|--|
| Size | 3-slot, PXIe system module |
| CPU | Intel i5-520E dual-core at 2.4 GHz |
| Storage | |
| Type | 2.5" SATA II SSD |
| Size | 160 GB |
| Memory | 4 GB standard, 8 GB optional 8 GB maximum |
| PXIe PCIe link configuration | 2x8 or 4x4 (automatically configured based on chassis configuration) |
| PXIe PCIe data bandwidth (max) | 2 GB/s max to/from the processor 4 GB/s max between PCIe backplane links (2-link mode) |
| Front panel connections | USB (4), 10/100/1000 LAN (2), VGA 2028x1536 @75 Hz (requires DVI-VGA adapter), DVI-I up to 1920x1200 @60 Hz, GPIB (Micro-D 25-pin), ExpressCard 34 mm slot, PXI trigger in/out (SMB) |



Agilent Technologies

Software Information

The embedded controller supports the Microsoft Windows® 7 operating system and comes with the selected operating system installed. Agilent I/O libraries, including VISA, Agilent Connection Expert, and I/O monitor, are also pre-installed.

| | |
|--|---|
| Supported operating systems | Microsoft Windows® 7 (32/64-bit) |
| Standard compliant drivers | IVI-COM, IVI-C, LabView |
| Supported application development environments (ADE) | VisualStudio (VB.NET, C#, C/C++), LabVIEW, LabWindows/CVI, MATLAB |
| Agilent IO Libraries | Includes: VISA Libraries, Agilent Connection Expert, IO Monitor |



Figure 1. Accessories included with the M9036A

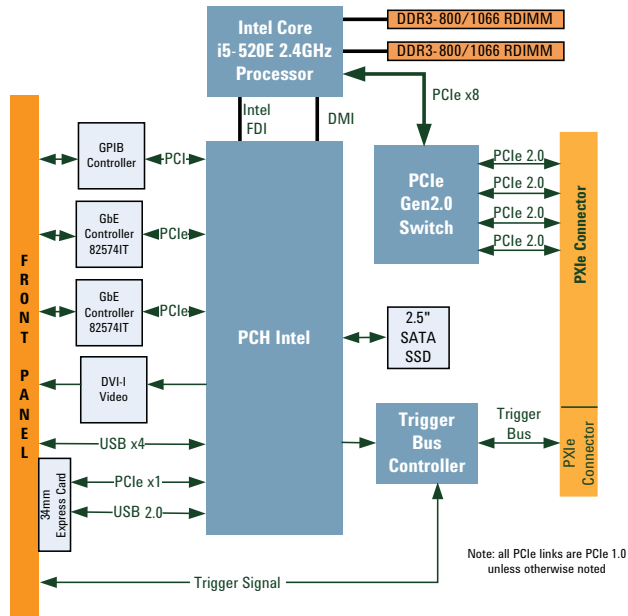


Figure 2. M9036A block diagram

Ordering Information

Typical Product Configuration

| Model | Description |
|------------|--|
| M9036A | PXIe embedded PC controller |
| M9036A-M08 | Memory upgrade from 4 GB RAM to 8 GB RAM |
| M9036A-W76 | Windows® 7 operating system (64 bit) |
| M9018A | 18-slot PXIe chassis |

Related Products

| | |
|------------|--|
| M9036A-W73 | Windows® 7 Pro operating system (32 bit) |
|------------|--|

Advantage Services: Warranty

Agilent Advantage Services is committed to your success throughout your equipment's lifetime.

| | |
|--------------|---|
| R-51B-001-3C | 1 year return to Agilent warranty extended to 3 years |
|--------------|---|

Discover Agilent ...



www.agilent.com

www.agilent.com/find/modular

www.agilent.com/find/M9036A

USA: (800) 829-4444

PICMG and the PICMG logo, CompactPCI and the CompactPCI logo, AdvancedTCA and the AdvancedTCA logo are US registered trademarks of the PCI Industrial Computers Manufacturers Group. "PCIe" and "PCI EXPRESS" are registered trademarks and/or service marks of PC-SIG. Microsoft, Windows, Visual Studio, Visual C++, Visual C#, and Visual Basic are either registered trademark or trademarks of Microsoft Corporation in the United States and/or other countries.

For more information on Agilent Technologies' products, applications, or services, please contact your local Agilent office. The complete list is available at: www.agilent.com/find/contactus

Product specifications and descriptions in this document subject to change without notice.

© Agilent Technologies, Inc. 2011 Printed in USA, November 1, 2011 5990-8466EN



Agilent Technologies